

in51S7N2D Series

4-in-1 Compact Indoor WDR Dome Camera



4-in1
TVI/CVI
AHD
Analog

Full 1080P
2MP
HD Mode

800TVL
Analog
Mode

SDN
WDR

Service
Jack

24VAC
12VDC

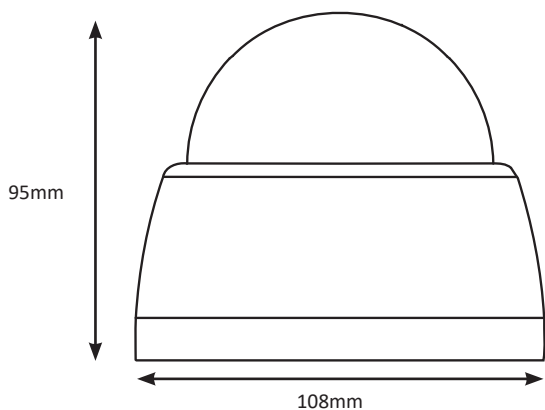
UTC
OSD

SENS
UP

The Remote Alert in51S7N2D is the next generation in our line of ultra compact vandal resistant domes. The next generation of chipsets featuring 4-in-1 Technology . Offering a selectable output (TVI, CVI, AHD or Analog mode) Offering 1080P resolution in HD analog mode or 800TVL in standard analog mode the new Wide-D WDR performance combined with 3D Digital Noise reduction, this compact camera will produce high quality video in the varying lighting conditions experienced in modern installations.

- Compact Die Cast Construction
- Thermal Management
- 3-Axis Gimbal
- Mega Pixel Sensor
- Selectable output TVI, CVI, AHD, Analog
- Ultra High 800 TVL Analog Mode
- Full 1080P HD Analog Mode
- Software Day/Night Function
- Min. Illumin. 0.03 Lux
- Wide Dynamic Range (WDR) 130db
- Backlight Compensation (BLC)
- Highlight Compensation (HLC)
- DEFOG
- 2D/3D DNR
- Sense Up
- Selectable Shutter Speeds
- ATW / AWC White Balance
- OSD Menu
- Privacy Zones
- Motion Detection Zoom Function
- On board Service Jack/Programmer
- 12VDC/24VAC

	System	NTSC
Imaging	Sensor	1/2.8 2MP Advanced Sensitivity Sensor
	Effective Pixels	1920 x 1080
Performance	Resolution HD	1080P Full HD
	Resolution Analog	800TVL
	Sensitivity	0.03Lux
	Wide Dynamic Range	130dB Max
	S/N Ratio	52dB
	Day / Night	Software Controlled
Lens	Type	2.8~12mm,
	Mount	14mm straight
Functions	Video Interface	Analog HD (TVI, CVI, AHD, CVBS)
	OSD	English, Chinese, Japanese, Korean
	Flickerless	On/Off
	Wide Dynamic Range	On/Off low/Middle/High
	DEFOG	Auto/Manual/Low/Medium/High
	Digital Image Stabilize	Yes
	AGC	Adjustable Level
	SENS UP	Adjustable Level 512x
	Electronic shutter	Off/On 1/200,000 sec maximum
	Sync	Internal
	Camera ID Number	Off/On 1~255
	Camera Name	Off/On, 15 Characters
	White Balance	ATW/Push/Manual
	DNR	2D + 3D Off, Low, Medium, High
	Gamma	0.35, 0.4, 0.45, 0.5, 0.55
	Motion Detection	4 areas, Off/On, Position & Sensitivity
	Privacy masking	8 areas, Off/On, Color, Position
	Image functions	Sharpness, Mirror, Flip, D-Zoom
	Input/Output	Video Output
Programming interface		On board joystick
Power	D Model	12VDC/24VAC ±10% 4.2W max
Physical	Construction	Die Cast Aluminum Shell Polycarbonate Bubble
	Dimensions (mm)	108∅ x 95mmH (4.24"∅ x 3.47"H)
	Weight	550g (1.21 lb)
	Mounting	Surface
Environmental	Operating Temperature	-10°C~+50°C
	Humidity	Less than 90%, non condensing
Order Codes	Lens	2.8~12mm
		in51S7N2D28V12



We reserve the right to amend specifications and design without prior notice