

inADAC24PM

AC to DC Power Module

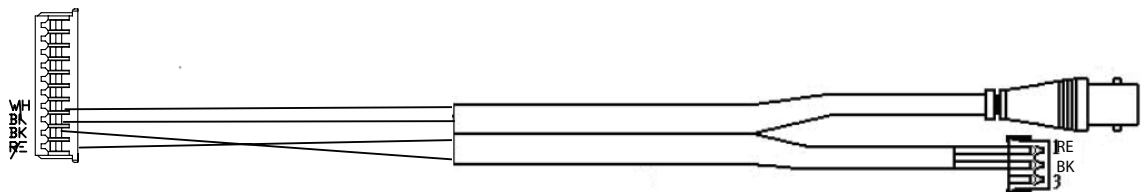
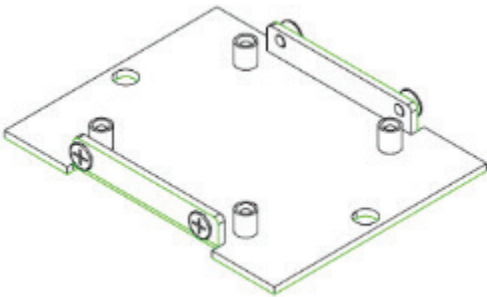
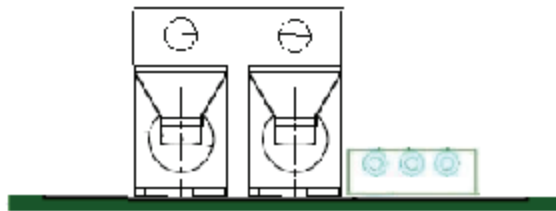
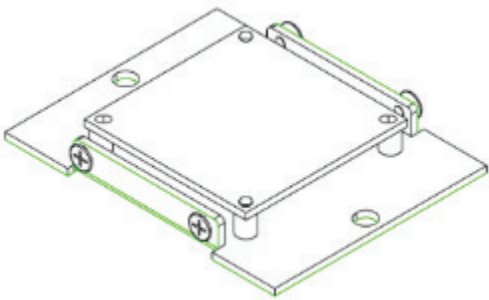
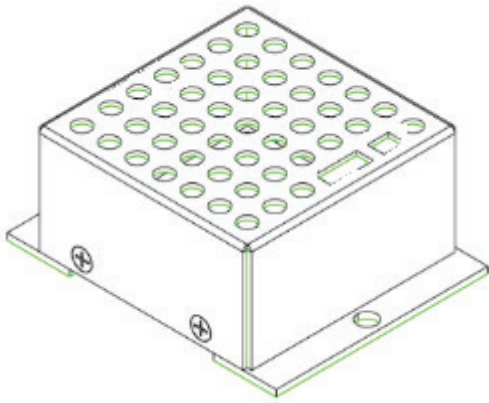


The **Remote Alert** inADAC24PM power module enables the use of the 12VDC in30 ATM camera on 24VAC powered systems. This allows the installer to use both 24VAC and 12VDC powered cameras on a common 24VAC power infrastructure. The power module is mounted to a back plate and has a removable shield to help prevent EMI/RFI issues within the ATM. This unit ships with a 36" power/video cable which allows mounting of the power module in back of the ATM.

Benefits:

- High reliability
- Stable output
- Polarity independent
- Noise suppression
- Lower "volt-drop" on extended cable runs.

Model:	inADAC24PM
Input Voltage	DC 9.6~15V / AC 19V~29V
Output Voltage (regulated)	12VDC @ 450mA
Ripple & Noise	150mVp-p Max
Input connection	Terminal Block
Output connection	10 Pin Molex for direct camera connection
Total Cable length	approx 92cm (36")
Dimensions (LxWxH)	63.5x50x26.5mm / 2.5 x 1.97 x 1 inch
Weight	52g / 2oz
Case type	Metal



Remote Alert reserves the right to amend specifications and design without prior notice