

inLS5100DN-1.3MP

5-100mm, 1.3MP, DC, AI Vari-Focal Lens



The **Remote Alert** Vari-Focal MegaPixel lens provides high resolution images and increased sensitivity. The inLS5100DN-1.3MP will deliver crisp color images in the daylight. Under low light conditions experienced at night, the IR corrective features of the lens will ensure that equally high levels of performance are delivered.

Features:

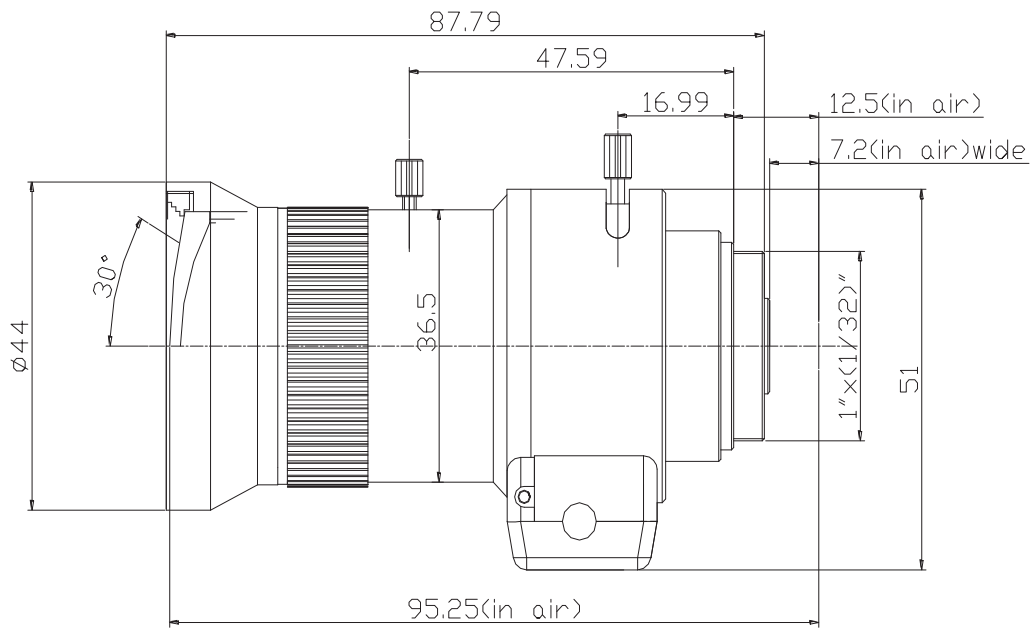
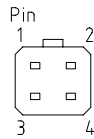
- 5-100mm DC Auto Iris
- 1.3 Megapixel
- Fast F1.6 aperture
- IR Corrected
- Specialized Glass Optics and Coatings
- CS Mount

Specifications	
Type	AI Vari-focal
Focal Length	5~100mm
F-Stop	F1.6
Image Format	1/2.7"
Mount	CS
Operating Range	Iris: F1.6-F360
	Focus: 0.7m ~ Infinity
Control	Manual Focus/Zoom
Horizontal Field of View	51° ~ 4.8°
Dimensions	44mm x 51mm x 87.79mm
Cable Length	300mm
Iris Control	DC Galvanometer
Operating Temperature	-10°~ 50 ° Celsius

Wiring Diagram

1) 4 Pin Standard Connector for Auto Iris

Pin No.1	Damping (-)
2	Damping (+)
3	Driving (+)
4	Driving (-)



Remote Alert reserves the right to amend specifications and design without prior notice