

inADAC24PSM

AC to DC Power Module

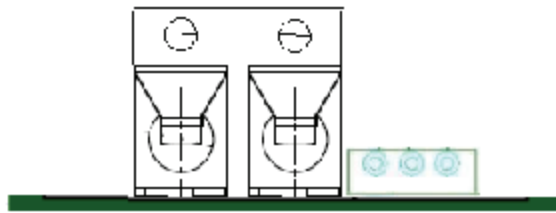
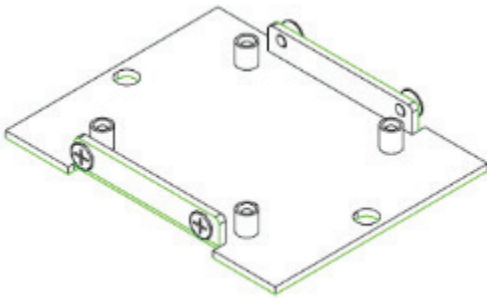
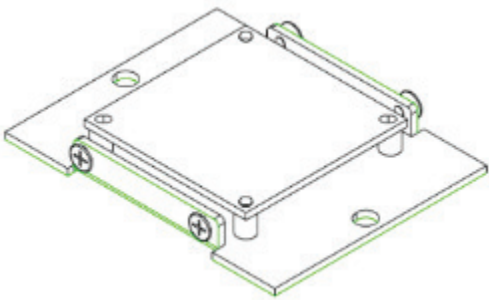
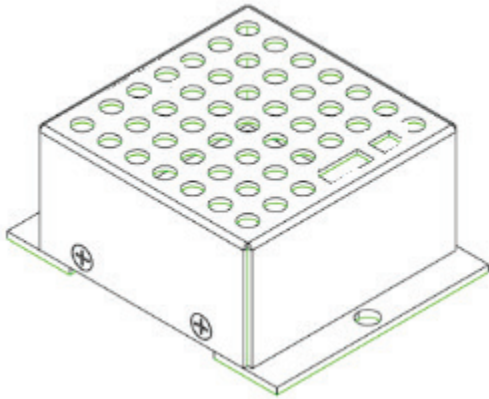


The **Remote Alert** inADAC24PSM power supply module enables the use of the 12VDC devices on 24VAC powered systems. This allows the installer to use both 24VAC and 12VDC powered cameras or other devices on a common 24VAC power infrastructure. The power module is mounted to a back plate and has a removable shield to help prevent EMI/RFI issues. This unit ships with a 10" power lead for connection to you cable or device.

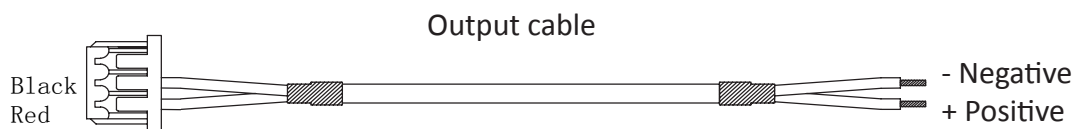
Benefits:

- High reliability
- Stable output
- Polarity independent
- Noise suppression
- Lower "volt-drop" on extended cable runs.

Model:	inADAC24PSM
Input Voltage	DC 9.6~15V / AC 19V~29V
Output Voltage (regulated)	12VDC @ 450mA
Ripple & Noise	150mVp-p Max
Input connection	Terminal Block
Output connection	Plug in Lead
Total Cable length	Approx 254mm (10")
Dimensions (LxWxH)	63.5x50x26.5mm / 2.5 x 1.97 x 1 inch
Weight	52g / 2oz
Case type	Metal



AC/DC input terminals
Polarity independent



Remote Alert reserves the right to amend specifications and design without prior notice