

inDUCS7N1L30



4-in-1 Drive-Up/Counter Camera

4-in1
TVI/CVI
AHD
Analog

Full 1080P
2MP
HD Mode

12VDC

SDN
WDR

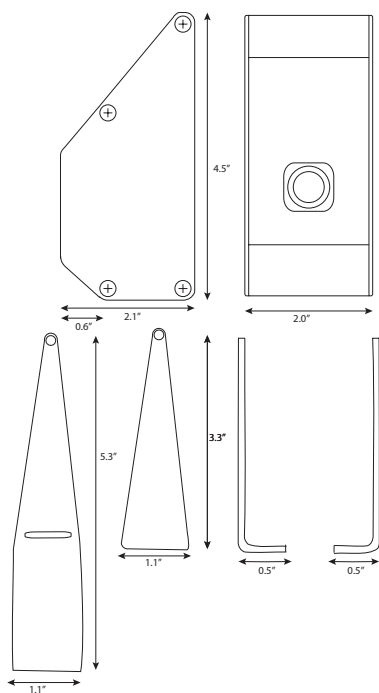
800TVL
Analog
Mode

SENS
UP

The **Remote Alert Drive-Up/Counter Camera** uses the latest in WDR multi performance chipsets . Offering 1080P resolution in HD analog mode or 800TVL in standard analog mode. New Wide-D WDR performance combined with 3D Digital Noise Reduction, this compact camera will produce high quality video in the varying lighting conditions experienced in modern installations. The small footprint of the camera allows versatility for placement and mounting. Capture full facial views of the person as they walk up to the counter or desk or as they drive up to the service window. Get the quality image you need with Remote Alert's Drive-Up/Counter camera.

- Mount to Counters/Desktops/Window Mullions
- Small Footprint
- Multiple Mounting Brackets
- Capture Full Facial images
- 3mm lens
- Black Finish
- Easy installation
- Selectable outputs, TVI, CVI, AHD, Analog
- Ultra High 800 TVL in Analog Mode
- Full 1080P in HD Mode
- Software Day/Night Function
- Min. Illumin. 0.01 Lux
- Wide Dynamic Range (WDR) 130db
- Backlight Compensation (BLC)
- Highlight Compensation (HLC)
- DEFOG
- 3D DNR
- Sense Up
- Selectable Shutter Speeds
- ATW / AWC White Balance
- OSD Menu
- Privacy Zones
- Motion Detection
- 12VDC or 24VAC if using a Power Converter

Dimensions



	System	NTSC
Imaging	Sensor	Mega Pixel Sensor
	Effective Pixels	1920 x 1080
Performance	Resolution HD	1080P Full HD
	Resolution Analog	800TVL
	Wide Dynamic Range	130dB Max
	Sensitivity	0.03Lux
	S/N Ratio	52dB
	Day / Night	Software Controlled
	Lens	Type
	Focal Length	3.0mm
Functions	Video Interface	Analog, HD Mode TVI, CVI AHD
	OSD	Multiple Language
	Flickerless	On/Off
	Wide Dynamic Range	Off/Low/Medium/High
	HLC (High Light Supp)	Off/Low/Medium/High
	BLC (Back Light Comp)	Off/Low/Medium/High
	DEFOG	Off/Low/Medium/High
	AGC	Off/Adjustable Level
	Sens Up	Adjustable level
	Electronic shutter	YES
	Sync	Internal
	Camera ID Number	Off/On 1~255
	Camera Name	Off/On, 15 Characters
	White Balance	ATW/Push/Manual
	DNR	2D + 3D Off/Low/Medium/High
	Gamma	0.35~0.55
	Motion Detection	4 areas, Off/On, Position & Sensitivity
	Privacy masking	8 areas, Off/On, Color, Position
	Image functions	Flip, Mirror, D-Zoom
	Input/Output	Video Output
Programming interface		Controller
Power	Voltage	12VDC or 24VAC ±10 % when using power module
	Power	3W Max.
Environmental	Operating Temperature	-10°C~+50°C
	Humidity	Less than 90%, non condensing
	Dimensions	114.3 H x 52.07 W x 53.34D
	Weight	80g
Order ID		inDUCS7N1L30
Power Module	12VDC/24VAC to 12VDC	inADAC24PSM

Remote Alert reserves the right to amend specifications and design without prior notice