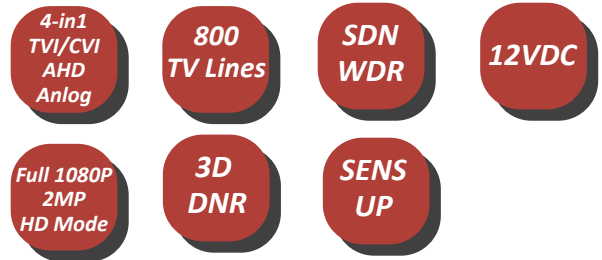


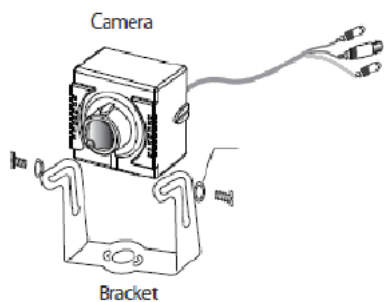
in31S7N1L37P

4-in-1 Night Depository Pinhole ATM Camera

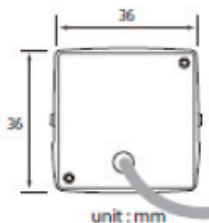


The **Remote Alert ATM/Night Depository Camera** uses the latest in HD performance chipsets . Offering 1080P resolution in HD analog mode or 800TVL in standard analog mode. New Wide D-WDR performance combined with 3D Digital Noise Reduction, this compact camera will produce high quality video in the varying lighting conditions experienced in modern installations. The small footprint of the camera allows versatility for placement and mounting. Capture full facial views of the person as they walk up to the night depository drawer. Get the quality image you need with Remote Alert's ATM/Night depository camera.

- Compact 36mm² footprint
- Thermal Management
- Hi-Res Board lens
- Ultra High 800 TVL Analog
- Full 1080P in HD Mode
- Flat Pinhole 3.7mm
- Software Day/Night Function
- Min. Illumin. 0.01 Lux
- Selectable Output, Analog, TVI, CVI, AHD
- 2D/3D DNR
- Sense Up
- Auto White Balance
- D-WDR
- 12VDC



	System	NTSC
Imaging	Sensor	Mega Pixel Sensor
	Effective Pixels	1920 x 1080
Performance	Resolution Analog	800TVL
	Resolution HD	1080P Full HD
	Sensitivity	0.01Lux
	S/N Ratio	52dB
	Day / Night	Software Controlled
Lens	Type	Fixed
	Focal Length	3.7mm
Functions	Video Interface	Analog, HD Mode- TVI, CVI, AHD
	D-WDR	Yes
	BLC (Back Light Comp)	Yes
	AGC	Off/Adjustable Level
	Sens Up	Yes
	White Balance	Yes
	2D/3D DNR	Yes
Input/Output	Video Output	CVBS 1.0Vp-p 75Ω
Power	Voltage	12VDC ±10
	Power	3W Max.
Environmental	Operating Temperature	-10°C~+50°C
	Humidity	Less than 90%, non condensing
Physical	Construction	Aluminum shell
	Dimensions	36 H x 36 W x 24 D
	Weight	70g
Order ID	4.3mm Pinhole	in31S7N1L37P
AC/DC Converter	12VDC/24VAC to 12VDC	inADAC241A



Remote Alert reserves the right to amend specifications and design without prior notice